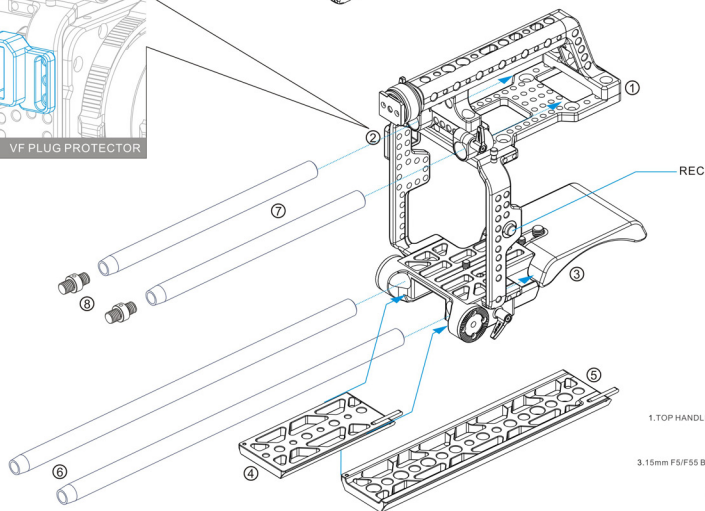
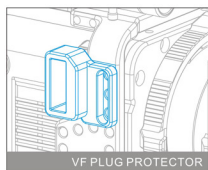
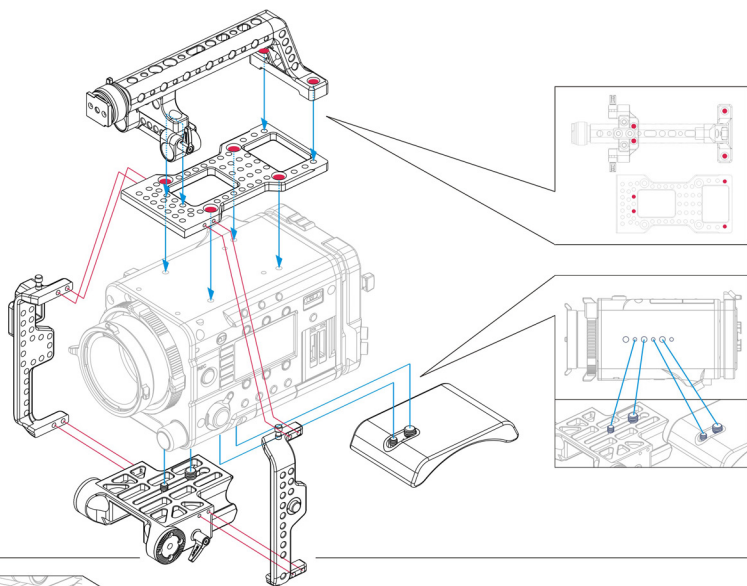


TOP HANDLE+TOP 15mm ROD ADAPTOR+SONY F5/F55 ARMOR



- 1.TOP HANDLE+TOP 15mm ROD ADAPTOR  
+SONY F5/F55 ARMOR
- 2.VF PLUG PROTECTOR
- 3.15mm F5/F55 BASEPLATE+SHOULDER PAD
- 4.5°LSW DOVETAIL PLATE
- 5.10°LSW DOVETAIL PLATE
- 6.15mmx300mm ROD\*2
- 7.15mmx200mm ROD\*4
- 8.15mm ROD EXTENSION SCREW\*2